



Models 18690-0000


115 VOLT AC MACERATOR

FEATURES

- Pump:** Self-Priming Flexible Impeller with Stainless Steel Wearplates
- Impeller:** Jabsco Nitrile Compound
- Macerator:** Cast Bronze Cutter Plate reduces particle size to 1/8" maximum
- Seal:** Lip Type
- Ports:** Inlet – 1-1/2" External Pipe Thread
Outlet – 1" ID Hose Barb
- Motor:** 115 Vac, AC Induction Type
Single Phase, 60 Hz
Thermal Overload Protection
- Weight:** 17 lb (7.7 kg)



Model 18690-000

	Explosion hazard. motor can spark. Explosion & death can occur. Do not use where flammable vapors are present.
---	---

APPLICATION INFORMATION

The Jabsco 18690-0000 AC macerator pump unit is the ideal answer to waste handling problems for marine, recreational vehicle and domestic uses. The macerator section grinds waste down to a particle size of 1/8" maximum so it can be pumped easily through a 1" hose discharge line. The pump is self-priming, permitting the unit to be mounted above or below the tank in a convenient location. For optimal efficiency, locate pump as close to waste source as practical.

Empties a 30 gallon holding tank in only 3 minutes.

The 18690-0000 waste pump will macerate and pump all waste and tissue normally found in marine waste systems. IT WILL NOT HANDLE HARD SOLID OBJECTS, SANITARY NAPKINS OR RAGS.

HEAD CAPACITY TABLE

Feet of Head	GPM
5	14.0
10	13.0
20	10.0
30	7.5

Flow rates are for water, capacity may be slightly reduced when handling heavy solids. Full load Amps – 7.2

INSTALLATION

Locating the pump: The Jabsco AC macerator pump unit is self-priming to a six foot lift and may be located at any convenient point in the waste discharge system. It should be mounted upright so the motor's bearing lube channels are accessible and to prevent the oil from draining out of them. For optimal efficiency, locate pump as close to waste source as practical. Ideally, if connected to the bottom of the holding tank, the hose length should be long enough so the hose-to-pump connection can be raised above the maximum liquid level should service be needed when the tank is full

Plumbing Connections: Use 1-1/2" ID non-collapsible suction hose. Attach suction hose to the inlet port and secure it with a quality marine grade hose clamp. All suction connections must be airtight and free of sharp bends or restrictions. Use minimum 1" ID contractors hose for discharge.

Be sure adequate voltage and current capacity is available in electrical installation.

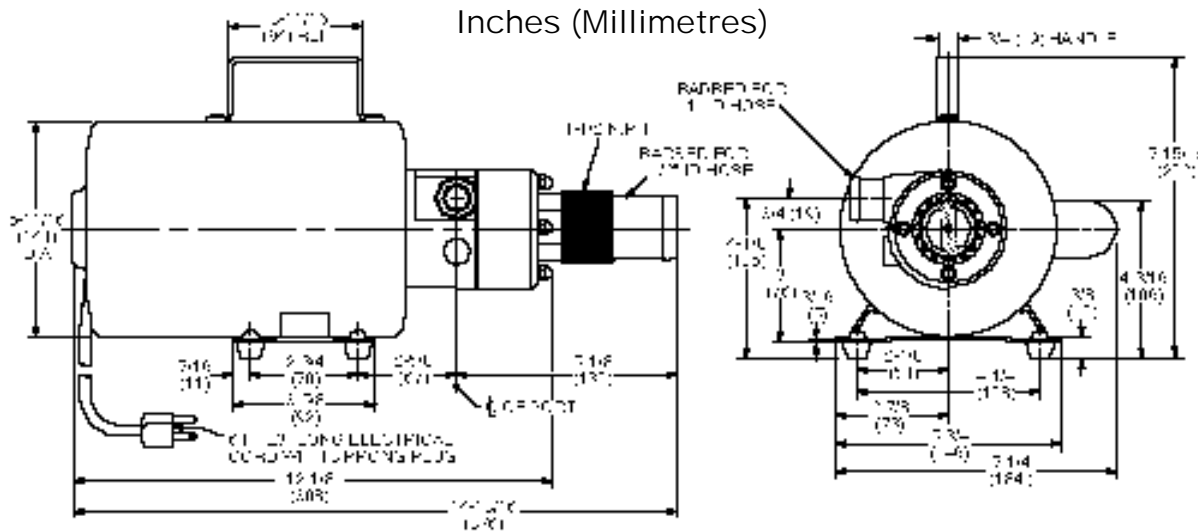
OPERATING INSTRUCTIONS

The Jabsco macerator pump unit has been designed to handle waste, toilet tissue, and facial tissue. It will also handle solids such as filter tip cigarettes, cigars and chunks of soft fruits or vegetables less than 1" in size. It will NOT pump solid objects like peach pits, rags, or sanitary napkins. The holding tank and pump should be flushed with several gallons of water after each pumpout. Do NOT run pump dry for longer than 30 seconds.

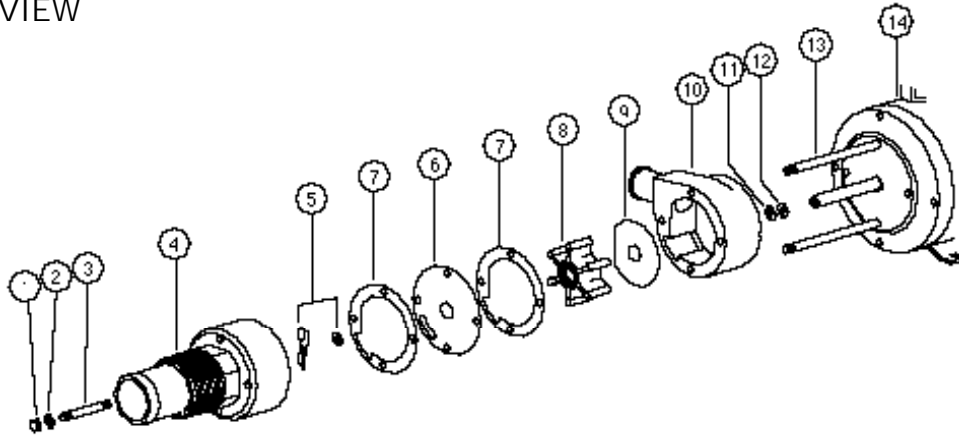
SERVICE INSTRUCTIONS

1. Remove acorn nuts and inlet housing.
2. Unscrew chopper from shaft by turning counterclockwise facing cutter chopper posts. Hold motor shaft behind chopper to prevent shaft from turning with a thin 9/32" (7mm) ignition wrench.
3. Remove gaskets, wearplate and slide pump assembly of mounting studs.
4. Replace seal, impeller gaskets or other parts as necessary. To remove seal, push out evenly with screwdriver from impeller bore side of body. To reassembly seal, coat outside of metal case with a light coat of sealant and press into body with lip facing impeller. Press star retaining washer (with concave side up) into seal bore and against seal case. A light coating of grease should then be applied to impeller bore and wearplate to aid initial dry startup.
5. Reassemble body, impeller, gaskets, wearplate, cutter plate, suction housing and acorn nuts.

DIMENSIONAL DRAWING
Inches (Millimetres)



EXPLODED VIEW



PARTS LIST

Key	Description	Part Number	Qty. Req.	Key	Description	Part Number	Qty. Req.
1	Acorn Nut	91085-0340	4	8	Impeller	6303-0003*	1
2	Fiber Washer	91613-0140*	4	9	Wearplate, Small	12316-1002	1
3	Stud	17288-0010*	2	10	Body	18593-1000*	1
4	Macerator Housing	18594-1001	1	11	Seal	1040-0000*	1
5	Cutter Plate with Washer	37056-1000	1	12	Slinger	6342-0000	1
6	Wearplate, Large	18597-1000	1	13	Stud	17288-0000	2
7	Gasket Kit (2 ea per kit)	18596-1000*	1	14	Motor Sub-Assembly-12v Service Kit	17246-0000 18598-1000	1

* These parts are supplied in 18598-1000 service kit.

Jabsco



THE PRODUCTS DESCRIBED HEREIN ARE SUBJECT TO THE JABSCO ONE YEAR LIMITED WARRANTY, WHICH IS AVAILABLE FOR YOUR INSPECTION UPON REQUEST.

U.S.A.
Jabsco
20 Icon
Foothill Ranch, CA 92610-3000
Tel: 949.609.5106
Fax: 949.859.1254

UNITED KINGDOM
Jabsco
Bingley Road, Hoddesdon
Hertfordshire EN11 0BU
Tel: +44 (0) 1992 450145
Fax: +44 (0) 1992 467132

CANADA
Fluid Products Canada
55 Royal Road
Guelph, Ontario N1H 1T1
Tel: (519) 821.1900
Fax: (519) 821.2569

JAPAN
NHK Jabsco Company Ltd.
3-21-10, Shin-Yokohama
Kohoku-Ku, Yokohama, 222
Tel: 045.475.8906
Fax: 045.475.8908

GERMANY
Jabsco GmbH
Oststrasse 28
22840 Norderstedt
Tel: +49-40-53 53 73 -0
Fax: +49-40-53 53 73 -11