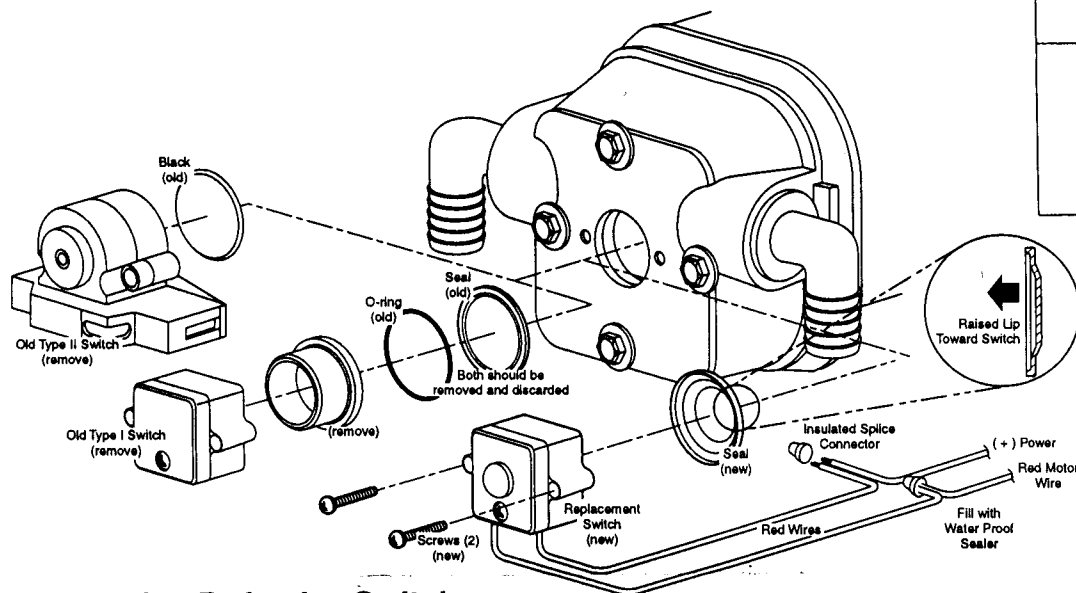


Installation for
**LONG LIFE
 PRESSURE SWITCH
 REPLACEMENT KIT**

FLOJET

Switch Number	Pump Number
2090-104	4406-XXX
	4306-5XX
	4405-XXX
	4305-5XX
2090-118	4305-143
	4305-144
	4305-343
	4305-443
	4325-XXX



Removing Defective Switch:

1. Remove the switch cover by loosening the cover screw on Type I switch.
2. Disconnect the two wire spade connectors; on a sealed switch clip wires close to switch.
3. Remove the switch body by loosening the two side screws. Remove carefully, avoiding any damage to the threads in the plastic pump housing.
4. Remove the black plastic piston guide and rubber sealing disk behind the switch. Some older models may also have a white teflon disk and O-ring as well, and this should be discarded.
5. Clean the plastic housing cavity and the front of the pump with fresh water.

Replacing With The New Long Life Switch:

1. Select new switch diaphragm by matching the check valve material* with one of the enclosed switch diaphragms. The diaphragms are marked V-Viton, B-Buna and E-EPDM (match EPDM with Santoprene check valves). Carefully place the new switch diaphragm in the pump housing with the outside diameter raised seal ring, on the diaphragm, facing forward toward switch (see illustration above).
2. Place the new switch on the pump aligning the mounting holes (ensuring the switch is centered on the switch cavity). Press switch into recess, then insert the new screws which came with the new switch. **Carefully turn the screws counter clockwise to find the old threads.** When you feel a "step or click", turn the screw **clockwise** being sure not to cross thread. Run one screw in to a snug fit, then install the second screw to a snug fit. Torque each screw to 9 - 10 inch pounds for a water tight seal.
3. Attach pump switch wires to new switch using the spade connectors which were attached to the old switch or see step #4. Attach motor wire to one switch spade and the power lead to the other switch spade.
4. To replace a switch with wire leads sealed into the switch, cut off motor wire and (+) positive power wire close to switch. Dress ends of wires, attach and crimp splice connectors securely to 6" wire leads that came with new switch.

In very moist or wet locations, wrap splice connector with electrical tape or fill connector with sealing compound as shown in drawing.

* If check valve material is now known, select the E-EPDM for all potable water and sea water, B-Buna for petro-chemicals, and V-Viton for higher temperature applications.

FLOJET, 20 Icon, Foothill Ranch, CA 92610-3000
 Tel: (949) 859-4945 • (800) 235-6538 • Fax: (949) 859-1153
 E-mail: sales@flojet.com • Website: www.flojet.com
 ISO 9001 Certified

FLOJET, Unit 1, Avant Business Centre
 Denbigh West Industrial Estate
 Milton Keynes, Bucks, England MK1 1DL
 Tel: 44-1908-370088
 Fax: 44-1908-373731

Fluid Products Canada
 55 Royal Road
 Guelph, Ontario N1H 1T1, Canada
 Tel: (888) 488-4033
 Fax: (519) 821-2569

Flojet



ITT Industries
 Engineered for life