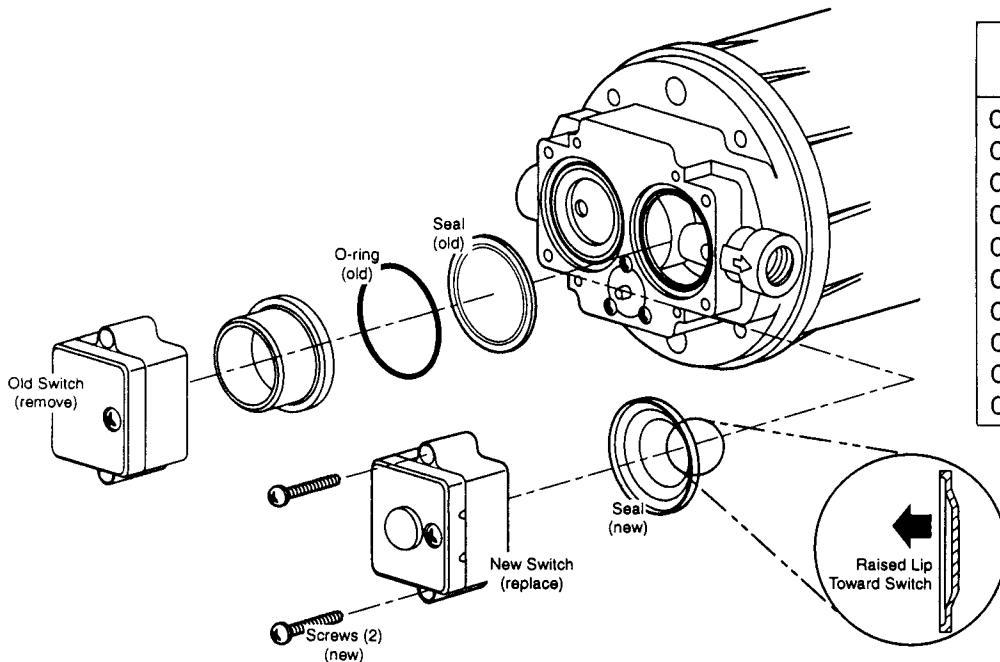


Installation for
**PRESSURE SWITCH
 REPLACEMENT KIT**

FLOJET



Switch Number	Off PSI	Pump Series
02090-108	15 PSI	2100
02090-114	18 PSI	2100
02090-105	27 PSI	2100
02090-117	30 PSI	2100/4000
02090-104	35 PSI	2100
02090-118	40 PSI	2100
02090-103	45 PSI	2100/4000
02090-100	60 PSI	2100
02090-119	75 PSI	2135
02090-115	95 PSI	2130

Removing Defective Switch:

1. Remove the switch cover by loosening the cover screw.
2. Disconnect the two wire spade connectors.
3. Remove the switch body by loosening the two side screws. Remove carefully, avoiding any damage to the threads in the plastic pump housing.
4. Remove the black plastic piece and rubber sealing disk behind the switch. Some older models may also have a white teflon disk and O-ring as well, and this should be discarded.

Replacing With The New Style Switch:

1. Select new switch diaphragm by matching the check valve material* with one of the enclosed switch diaphragms. The diaphragms are marked V-Viton, B-Buna and E-EPDM (match EPDM with Santoprene check valves). Carefully place the new switch diaphragm in the pump housing with the outside diameter raised seal ring, on the diaphragm, facing forward toward switch (see illustration above).
2. Place the new switch on the pump aligning the mounting holes (ensuring the switch is centered on the switch cavity). Press switch into recess, then insert the new screws which came with the new switch. **Carefully turn the screws counter clockwise to find the old threads.** When you feel a "step or click", turn the screw **clockwise** being sure not to cross thread. Run one screw in to a snug fit, then install the second screw to a snug fit. Torque each screw to 9 - 10 inch pounds for a water tight seal.
3. Attach pump switch wires to new switch using the spade connectors which were attached to the old switch. Attach motor wire to one switch spade and the power lead to the other switch spade.
4. Install cover over spade connectors and wires using screw supplied with switch.

* If check valve material is now known, select the E-EPDM for all potable water and sea water, B-Buna for petro-chemicals, and V-Viton for higher temperature applications.

FLOJET, 20 Icon, Foothill Ranch, CA 92610-3000
 Tel: (949) 859-4945 • (800) 235-6538 • Fax: (949) 859-1153
 E-mail: sales@flojet.com • Website: www.flojet.com
 ISO 9001 Certified

FLOJET, Unit 1, Avant Business Centre
 Denbigh West Industrial Estate
 Milton Keynes, Bucks, England MK1 1DL
 Tel: 44-1908-370088
 Fax: 44-1908-373731

Flojet



ITT Industries
Engineered for life