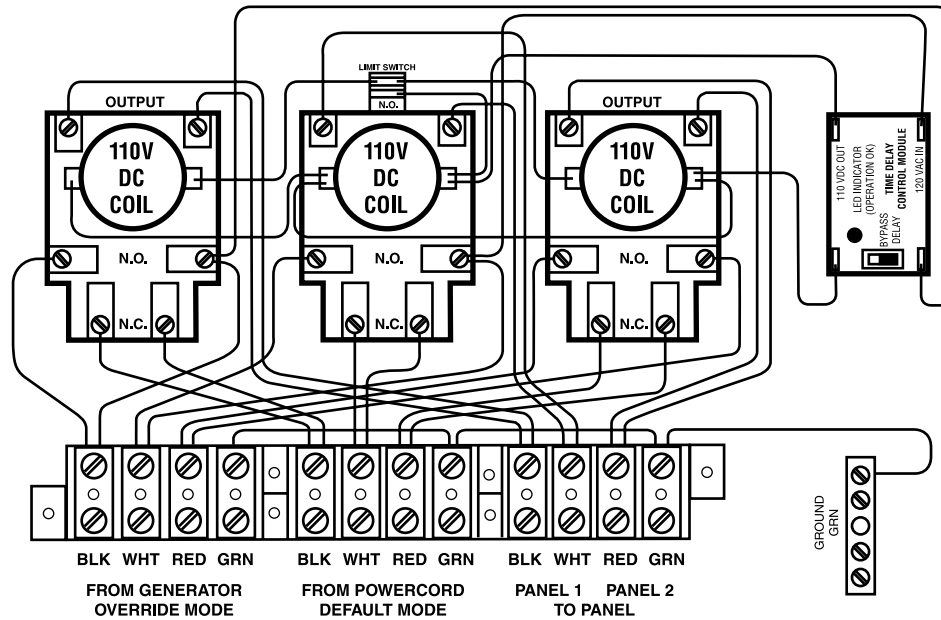


**MODEL ITS-100R
TRANSFER SWITCH**

MAXIMUM SERVICE
120V 60Hz 1 Phase
100 Amps/Pole 3 Pole
GENERAL LOADS



WARNING

MULTIPLE 120/240 VOLT POWER SOURCES. ALL MUST BE SECURED OFF BEFORE SERVICING. REFER SERVICE TO A QUALIFIED ELECTRICIAN.

AVERTISSEMENT

COUPER TOUTES LES SOURCES D'ALIMENTATION AVANT DE FAIRE L'ENTRETIEN ET LES REPERATIONS. PLUS D'UN CIRCUIT SOUS TENSIONS-VOIR SCHEMA.

NOTE

120/240 VOLT TRANSFER SWITCHES MAY NOT OPERATE IF POWER IS LOST ON ONE HOT LEG WHEN RUNNING ON 240 VOLTS.

Use copper wire only
75° C. minimum.

TYPE 1