

INSTRUCTION MANUAL

**MAINTENANCE MASTER
AUTOMATIC BATTERY CHARGER**



MODEL #091-7.

NOTE :

**This charger is designed for
vehicles with a single
battery system**

**INPUT : 120 volt, 50/60 Hz, 1 amp
3 YEAR WARRANTY**



KUSSMAUL ELECTRONICS CO., INC.
170 CHERRY AVE., WEST SAYVILLE, N.Y. 11796-1221

TEL: in NY 516-567-0314

TOLL FREE: 800-346-0857

FAX: 516-567-5826

1. INTRODUCTION

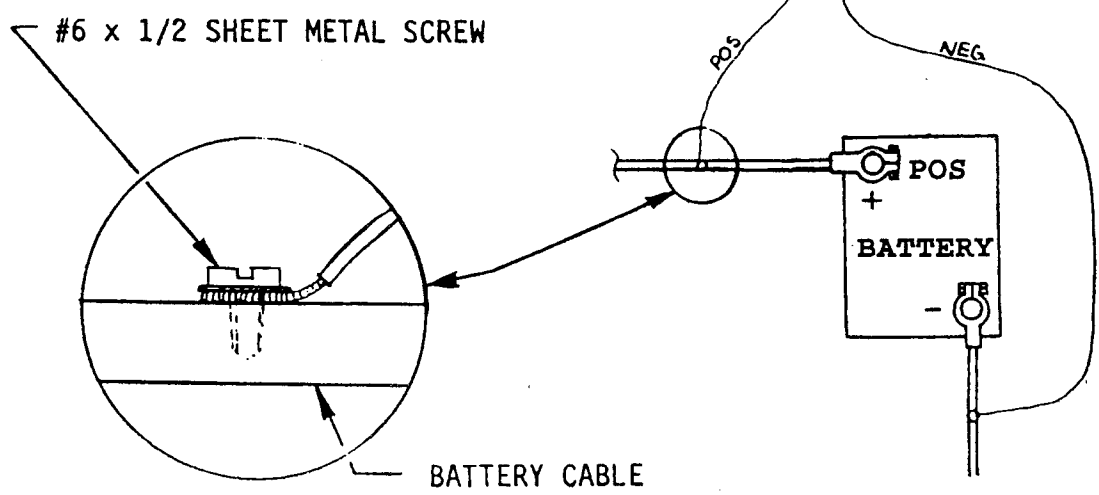
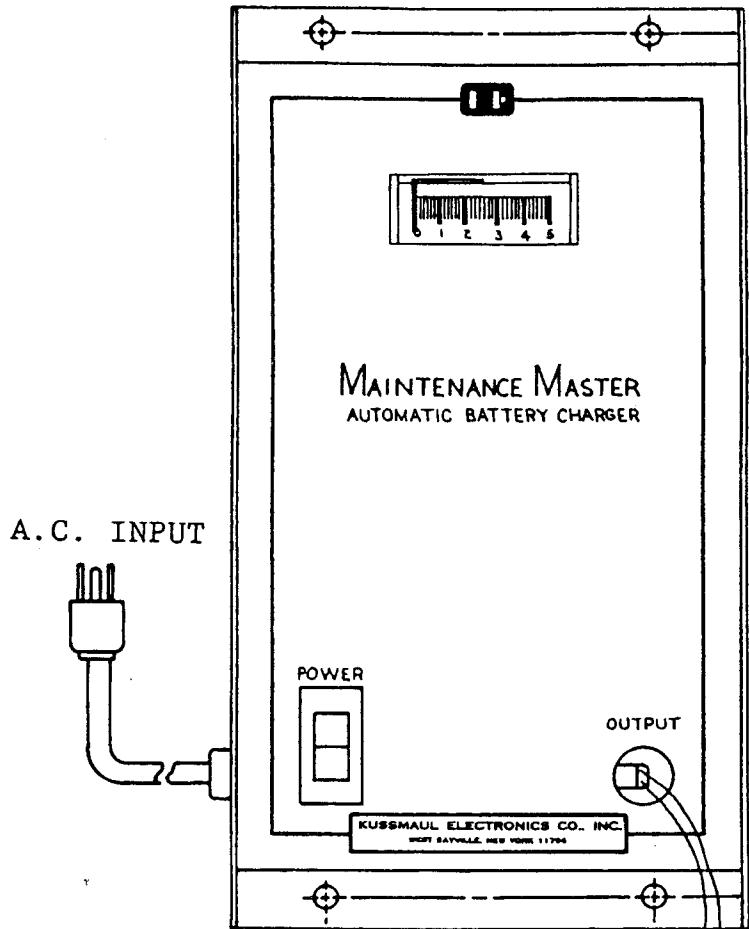
This procedure defines the installation and wiring for the 091-7 Maintenance Master Battery Charger.

2. MOUNTING

Mount the Maintenance Master Charger at some convenient location near the battery utilizing two #8 x 1 screws provided. Mounting against a vertical wall is suggested, be certain that the upper and lower surfaces of the charger are unobstructed to permit free circulation of air.

3. ELECTRICAL CONNECTIONS

Connect the charger output to the battery. Note that the output leads are marked "Pos" and "Neg.". Connect the lead marked "Pos" to the positive terminal of the battery and the lead marked "Neg" to the negative terminal. This is easily accomplished with the #6 x 1/2 sheet metal screws provided - these may be screwed directly into the battery cable. In those installations where a connector is installed in the charger output, the installer must verify the polarity of the connector. Note: USE ONLY A POLARIZED CONNECTOR.



INSTALLATION WIRING

CAUTION

DAMAGE TO THE CHARGER MAY OCCUR IF THE CHARGER LEADS ARE
CONNECTED TO THE IMPROPER TERMINALS OF THE BATTERY
VERIFY POLARITY BEFORE CONNECTING BATTERY

Upon completion of the charger output wiring, plug the charger into any convenient 120 volt, 50/60 Hz. outlet. Turn the power switch "ON". The charger will charge the battery - as the battery becomes fully charged the output current will decrease. When fully charged the output current will drop to zero.

4. CHARGER OUTPUT

The charger is calibrated to put out the voltage as follows:

Model Number	Nominal Voltage	Charger Output Voltage
091-7-6	6 volts	6.70 +/- .05 volts
091-7-12	12 volts	13.25 +/- .1 volts
091-7-24	24 volts	26.50 +/- .1 volts

Output current is limited automatically so that when the engine is started or the battery is deeply discharged, the charger protects itself.

INSTALLATION RECORD & WARRANTY

Date Installed _____

Installed By _____

Vehicle Identification _____

Vehicle Owner _____

WARRANTY

All products of Kussmaul Electronics Company Inc. are warranted to be free of defects of material or workmanship. Liability is limited to repairing or replacing at our factory, without charge, any material or defects which become apparent in normal use within 3 years from the date the equipment was shipped. Equipment is to be returned, shipping charges prepaid and will be returned, after repair, shipping charges paid.

Kussmaul Electronics Company, Inc. shall have no liability for damages of any kind to associated equipment arising from the installation and / or use of the Kussmaul Electronics Company, Inc. products. The purchaser, by the acceptance of the equipment, assumes all liability for any damages which may result from its installation, use or misuse, by the purchaser, his or its employees or others.